



Powered Beach Chair


800-0004
(-EU)

EZ Lift Beach Chair

800-0142
(-EU) (-UK) (-DEN)
(-JPN) (-SWISS)








Prior to using this or any other type of medical equipment with a patient, it is recommended that you read the Instructions For Use and familiarize yourself with the product.

- Please read and understand all warnings in this manual and on the device itself before using it with a patient.
- The  symbol is designed to alert users to important procedures or safety instructions regarding the use of this device.
- The techniques described in this manual are suggestions from the manufacturer. The attending physician retains the final responsibility for patient care with respect to this device.
- Check the device function before each use. Do not use this device if there are obvious signs of damage or functional issues. Consult manufacturer before reusing.
- This device should only be operated by trained personnel.
- All modifications, upgrades, or repairs must be carried out by an authorized specialist.
- Any serious incidents related to the device should be reported to the manufacturer and the national competent authority where the user is located.



**NEVER EXCEED THE WEIGHT CAPACITY OR IMPROPERLY
DISTRIBUTE THE LOAD ON THE OPERATING ROOM TABLE.**

Symbol	Description	Reference
	Manufacturer	EN ISO 15223-1
	Date of manufacture	EN ISO 15223-1
EC REP	Authorized Representative in the European Community	EN ISO 15223-1
CH REP	Authorized Representative in Switzerland	EN ISO 15223-1
UK REP	Authorized Representative in UK	EN ISO 15223-1
	Importer	EN ISO 15223-1
SN	Serial Number	EN ISO 15223-1
	Warning	IEC 60601-1
MD	Medical Device	MDR 2017/745
UDI	Unique Device Identifier	EN ISO 15223-1
CE	CE Marking	MDR 2017/745
	Use-By Date	EN ISO 15223-1
LOT	Batch Code	EN ISO 15223-1
REF	Manufacturer's Reference Number	EN ISO 15223-1

Indication for Use:

The E-Z Lift and Powered Beach Chairs are used in a variety of surgical procedures including but not limited to orthopedic surgeries like, rotator cuff, total shoulder, reverse total shoulder, SLAP repair and other upper extremity surgery.

Intended Use:

The intended use is to position a patient during upper extremity procedures. The E-Z Lift Beach Chair and the Powered Beach Chair provide head, back and shoulder support for patients during a variety of upper extremity surgical procedures.

Intended User: Surgeons, Nurses, Doctors, Physicians and/or Healthcare professionals involved in the intended procedure utilizing the device. All staff using or preparing the intended product should be properly trained and familiar with the positioning device before use.

Intended Populations: This device is intended to be used with patients that do not exceed 500 lbs. (227 kg) and meet the minimum patient height of 50 in. (127 cm) and do not exceed the maximum patient height of about 76 in. (194 cm).

Residual Risk:

This product complies with relevant performance, safety standards. However, misuse, device damage, function or mechanical hazards may not be completely excluded. End users are responsible for ensuring device is securely attached and will operate in a safe manner.

Safety Considerations:



Do not reuse device if there are obvious signs of damage or functional issues. Consult SchureMed before reusing.

Equipment Misuse:

Do not use the product if package is damaged. All modifications, upgrades, or repairs must be performed by a SchureMed authorized specialist.

Safe Disposal:

End users should adhere to all federal, state, regional, and/or local laws and regulations as it pertains to the safe disposal of medical devices and accessories.

System Setup:

1. Lower or remove leg or back sections of surgical table.
2. Slide chair completely onto slide rails and lock tightly into place by turning handles clockwise on both sides of the chair.
3. Begin by placing patient in supine position - For the Powered Beach Chair, plug into 110V outlet, then push down on hand control to lower the chair to supine position. For the E-Z Lift Beach Chair, squeeze trigger with one hand and pull chair back down with other hand. Release trigger to lock into position.

Positioning Patient on Powered Beach Chair:

1. To raise patient, push the up button on the hand control.
2. To lower patient, push the down button on the hand control.

Positioning Patient on E-Z Lift Beach Chair:

1. To raise patient, squeeze trigger to allow gas spring to provide assistance in raising patient.
2. Larger patients may also require minor additional force to lift the chair. If the chair doesn't lift when squeezing the trigger, squeeze trigger with one hand and gently lift the back of the chair with your other hand.
3. To lower patient, squeeze trigger with one hand and pull chair back down with other hand.
4. Release trigger to lock into position.

Shoulder Panel Removal and Insertion:

1. *Removal:* Turn top and bottom panel latches down to unlocked positions to remove shoulder panels.
2. Hold handle with one hand and pull plunger outwards and slide panel straight back to remove.
3. *Insertion:* Slide on track and panel will snap lock. Then turn top and bottom panel latches into the upright locked positions.

Lateral Brace:

1. To position Lateral Brace, remove shoulder panel on operative side and slide brace into clamps.
2. Adjust lateral brace to fit patient.
3. Lock tight by turning locking handles clockwise.



Remove chair prior to returning leg or back section to neutral position – severe damage can occur to chair and/or surgical table.

Headrest Assembly:



- | | |
|-----------------------------------|---------------------------------|
| 1 Headrest | 4 Slide Mechanism |
| 2 Double Ball Joint Locking Lever | 5 Support Post |
| 3 Support Post Locking Lever | 6 Slide Mechanism Locking Lever |



When transferring the patient, make sure the Slide Mechanism Locking Lever is loosened to ensure headrest slides up and down freely on support post. *Failure to do so could result in patient injury.*

Adjusting Headrest Assembly:

1. Start with the surgical table in a level position
2. Loosen the Support Post Locking Lever and position Support Post all the way down and centered in relation to shoulder chair.
3. Tighten the Support Post Locking Lever when support post is in desired position.
4. Loosen Sliding Mechanism Locking Lever and adjust headpiece up or down Support Post to accommodate for height of patient.
5. To loosen head section, move Double Ball Joint Locking Lever to neutral position.
6. Position head rest where it is centered with Support Post and level with shoulder chair pad.
7. When headrest is in desired position, move Double Ball Joint Locking Lever in either direction to lock double ball joint and fix head section.



Maximum load should not exceed appropriate proportion of a patient weighing 500 lbs (227 kg). Use care with low-maximum load capacity surgery tables that accessory rails are not overloaded.

Patient Transfer and Preparation:

1. Transfer patient and loosely secure patients head with loop and hook restraint straps.
2. Loosen Slide Mechanism Locking Lever to ensure headrest slides up and down freely on support post. **Failure to do so could result in patient injury.**
3. Support patient's head while you bring patient to seated position.
4. Make final adjustments to headrest using Support Post Locking Lever, Double Ball Joint Locking Lever, and Sliding Mechanism Locking Lever.
5. Once headrest is properly adjusted, lock all levers and secure head in place with loop and hook restraint straps.
6. Place unaffected arm on a raised armboard.
7. Release shoulder panel supporting affected shoulder.
8. Add lateral brace on affected side.



Hazard resulting from incorrect use. Strictly follow instructions for use for your Operating Table system.

800-0004



- 1 Double Ball Joint Head Section
- 2 Removable Shoulder Panel
- 3 Lateral Brace

- 4 Hand Control
- 5 Locking Handles
- 6 Self Contained Motor

800-0142



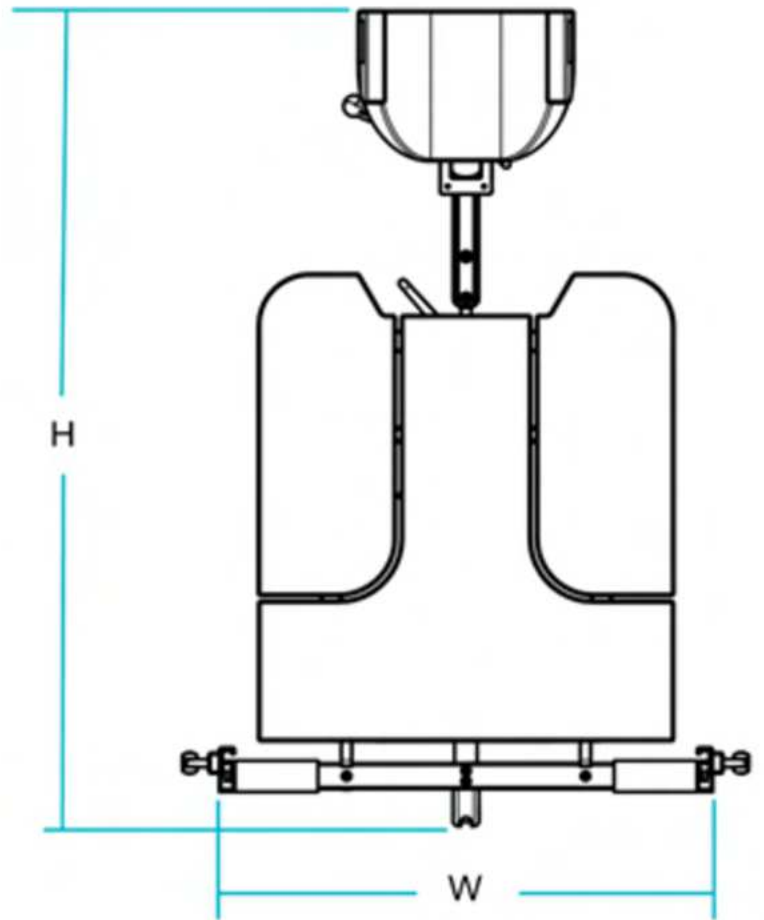
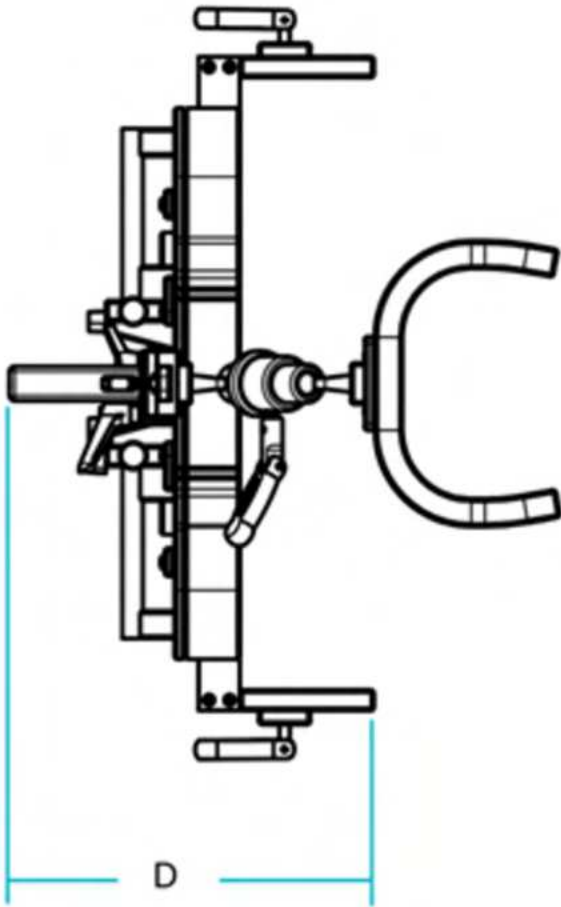
1 Double Ball Joint Head Section

2 Removable Shoulder Panel

3 Lateral Brace

4 E-Z Trigger

5 Locking Handles



Device Dimensions	Beach Chair (800-0142, 800-0004)
Height (H)	44" +/- 0.5" (112cm +/- 1cm)
Width (W) Expanded	24" +/- 0.5" (61cm +/- 1cm)
Width (W) Contracted	21.5" +/- 0.5" (55cm +/- 1cm)
Depth (D)	13.25" +/- 0.5" (34cm +/- 1cm)
Net Weight	30.5lbs +/- 0.5lbs (78kg +/- .22kg)
Gross Weight	46lbs +/- 0.5lbs (117kg +/- .22kg)



Remove chair prior to returning leg or back section to neutral position – severe damage can occur to chair and/or surgical table.

Storage Specifications	Description
Storage Temperature	-20° F to 140° F (-29° C to +60° C)
Storage Relative Humidity Range	15% to 85%
Operating Temperature	This device is intended to be used in a controlled Operating Room environment.
Operating Relative Humidity Range	

Cleaning and Disinfection:



- **Clean the device after each use as directed.**
- **Do not submerge the device in liquid.**
- **Use caution in areas where liquid can get into the mechanism.**
- **Do not clean the device with bleach or products that contain bleach or phenolic.**

Hand Cleaning Instructions

- Clean Beach Chair thoroughly before using and after each use
- Recommended cleaning products: (All solutions should be used in accordance with manufacturer's instructions)
 - Enzymatic neutral pH detergent solution
 - (Enzymatic cleaners are compatible with metal devices/instruments and are preferred)
 - Non-enzyme, hydrogen peroxide based solution
 - Coverage Plus NPD One Step Cleaner, Disinfectant & Deodorizer Concentrate
- Wipe each part completely dry with a clean, lint-free cloth before reusing

Read the cleaning product’s directions and follow the instructions on the label. Use caution in areas where fluid migration may occur.

Wipe device with a clean, dry cloth. Be sure that the product is dry prior to reinstalling and storage to avoid damage.

CAUTION: Damage may result if product is cleaned with caustic chemicals or harsh abrasives

ATTENTION: If any SchureMed product is damaged or does not function normally, discontinue use and contact SchureMed or an authorized SchureMed Certified Distributor.

Compatible Product Table:

Accessory Description	Product Number
Shoulder Chair Dolly	800-0074
Otimo Armboard	800-0398
Disposable Face Masks	800-0164
Premium Head & Chin Straps	800-0369
SchureLoc XPS	800-0280
SchureLoc XPS Adapter	790-0039
SchureLoc XPS Forearm Attachment	790-0040
SchureLoc XPS Sterile Kit	800-0281

Compliance with Medical Device Regulations



These products are non-invasive, Class I Medical Devices and are CE-marked according to AnnexVIII, Rule 1, of the Medical Device Regulations (REGULATION (EU) 2017/745).

EC Authorized Representative



Emergo Europe
Westervoortsedijk 60
6827 AT Arnhem
The Netherlands

Manufacturing Information



SchureMed
452 Randolph Street,
Abington, MA 02351 USA
Toll Free (888) 724-8752
Ph (781) 982-7001
orders@schuremed.com

UK Authorized Representative



Emergo Consulting (UK) Limited
Compass House, Vision Park Histon
c/o Cr360 - UL International
Cambridge CB24 9BZ
England, United Kingdom

EU & Swiss Importer



MedEnvoy Global B.V.
Prinses Margrietplantsoen
33 - Suite 123
2595 AM The Hague
The Netherlands

CH Authorized Representative



MedEnvoy Switzerland AG
Gotthardstrasse 28
6302 Zug
Switzerland