



Great White[®] Robotic Stirrups w/Fins

*Robotic Gynecologic
& Urologic procedures
have never been safer*

Features

- The Great White[®] Robotic Stirrups' range of motion is -65° low lithotomy to 45° high lithotomy
- Exclusive 3-axis control from the handle mimics the anatomy of the human hip
- Simply squeeze the trigger for smooth and accurate high/low lithotomy, adduction and abduction positioning
- Lithotomy Range -65° low to 45° high; Adduction -9° and abduction +25°
- Included Boot Pads wrap around the foot, ankle and calf providing safe, comfortable and secure patient positioning
- Lithotomy indicators help to accurately reposition legs

#800-0342-RF Great White[®] Robotic Stirrups w/Fins

Required Accessory: Purchase Two

Spring Loc Clamp

#800-0338 US

#800-0338-EU EU

#800-0338-JPN JPN

#800-0338-SWISS SWISS

#800-0338-DEN DEN

Optional Accessories

#800-0074-R Dolly, Robotic Stirrups

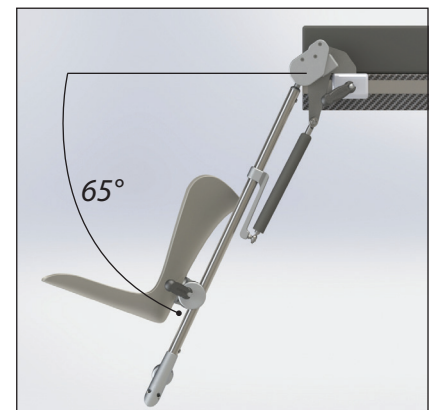
#508-1415 Replacement Stirrup Boot Pads w/Fins

#800-0284 Stirrup Wall Rack

#800-0160 Clear View Leg Drapes



600 lb. (272 kg)
Patient Weight
Capacity



Phone 888.724.8763 • 781.982.7000 | Fax 781.982.7001 | www.schuremed.com

452 Randolph Street, Abington, MA 02351