



Great White[®] Robotic Stirrups

Robotic Gynecologic & Urologic procedures have never been safer

Features

- The Great White[®] Robotic Stirrups' range of motion is -65° low lithotomy to 45° high lithotomy
- Exclusive 3-axis control from the handle mimics the anatomy of the human hip
- Simply squeeze the trigger for smooth and accurate high/low lithotomy, adduction and abduction positioning
- Lithotomy Range -65° low to 45° high; Adduction -9° and abduction +25°
- Included Premium Boot Pads wrap around the foot, ankle and calf providing safe, comfortable and secure patient positioning
- Lithotomy indicators help to accurately reposition legs

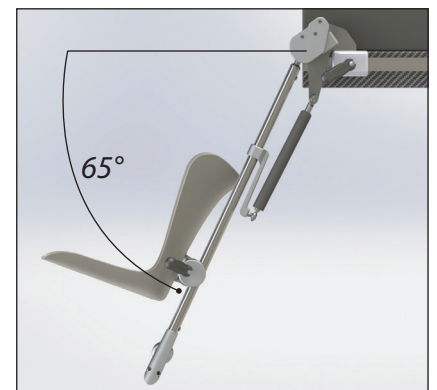
#800-0342-RF Great White[®] Robotic Stirrups w/Fins
#800-0342-R Great White[®] Robotic Stirrups w/o Fins

Required Accessory: Purchase Two SpringLoc Clamp

#800-0338 US #800-0338-EU EU
#800-0338-JPN JPN #800-0338-SWISS SWISS
#800-0338-DEN DEN

Optional Accessories

#508-1354 Replacement Stirrup Boot Pads w/o Fins
#508-1415 Replacement Stirrup Boot Pads w/Fins
#800-0284 Stirrup Wall Rack
#800-0160 Clear View Leg Drapes
#800-0074-R Robotic Stirrups Dolly



Phone 888.724.8763 • 781.982.7000 | Fax 781.982.7001 | www.schuremed.com

orders@schuremed.com | 452 Randolph Street, Abington, MA 02351